



ROYAL LED
EQUIPMENTS PVT. LTD

PRODUCT CATALOGUE

2026



**Manufacturing
All Kind Of Light
Fixtures &
Accessories**
www.royalled.co.in



**LONG-LASTING LIGHTS,
TO MAKE
YOUR FUTURE
BRIGHT.**

ABOUT US



Royal LED has been a leading manufacturer of LED contour linear solutions and advanced technology for 21 years now.

Royal LED Equipment Private Limited is located in our own manufacturing facility in Vapi and specialises in the design and manufacture of LED lighting products. We have our own professional team for design, manufacture, management, and trade.

We have established a well-equipped manufacturing facility in Vapi, Gujarat, which allows us to produce a wide range of high-quality products and supply them throughout India.

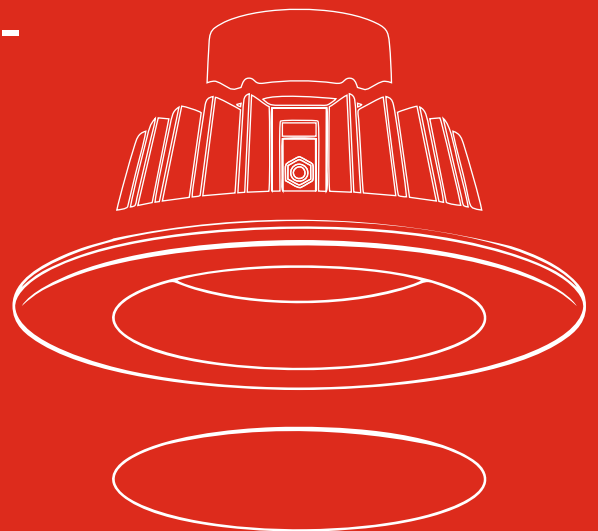
While developing the products, we always think about the errors, which is helpful for the customer's point of view in all aspects.

Our team combines electronic expertise and ingenuity to create custom solutions that can be adapted to different environments with the necessary safety and specialist monitoring features to meet a customer's standards.

We have an in-house facility consisting of :-

- Die Casting M/c (From past 19 Years) - 120, 140, 180, 250, 400 Ton Yzumi & Techno make
- All machining facility
- Die Maintenance Facility
- Powder coating Facility
- Toughened Glass Facility with two separate units. For the last 15 Years
- Injection Moulding M/c - 120 & 160 Ton Yzumi make
- Testing Lab Facility

ROYAL LED EQUIP MENT S PVT LTD



ROYAL LED
EQUIPMENTS
PVT LTD

WHY CHOOSE US?



**A comprehensive
service delivered
by Experts**



Trusted Installers



Quality Product



On time Services



Economical Value



Expert Support

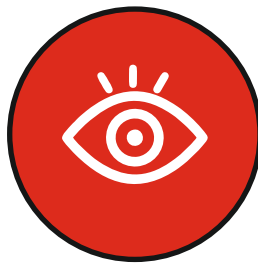
We are focused on our guiding principles; innovation, quality, reliability, and collaboration.

Moreover, there is a culture of continuous improvement ensuring all components, finished products, and service standards are industry-leading.



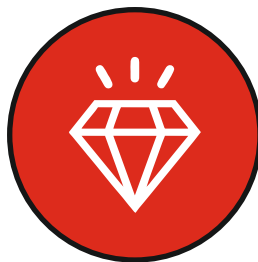
Mission

Our mission is to provide superior Quality Led components and service and to do everything right the first time. We also encourage personal growth and make our work fun. We conduct business with full integrity.



Vision

Our vision is to grow and expand by adopting product innovation, cost-effective manufacturing, and dedication skills leading to better product manufacturing and exceeding our customers' needs.



Core Values

Royal LED Equipments Pvt Ltd will always remain true to its founding values of :-

Innovation – Constantly improve, advance, and invent

Quality – Deliver excellence and value

Reliability – Consistency, dependability, and trustworthiness











Collaboration – Teamwork, cooperation, and partnerships

Fulfilment – Work hard, perform, enjoy and reward success

content

ROYALLED EQUIPMENTS PVT LTD

OUR PRODUCTS

01	ABOUT US
02	WHY CHOOSE US?
03	MISSION / VISION / VALUES
4-5	 EVERGREEN
6-7	AROMA 
8-9	 GLISTEN
10-11	FLAME 
12-13	 DAZZEL
14-15	SPARKLE 
16-17	 GLEAM
18-19	LUMITY 
20-21	 INTENSE
22-23	CORONET 

CHERRY



24-25



LYSANDE

26-27

MORAL



28-29



BLAZE

30-31

ACUTE



32-33



NOBEL

34-35

UPTAKE



36-37



SCHOLARY

38-39

NOVA



40-41



SOBER

42-43

SHEEN



44-45



INTENSIFY

46-47

OUR PRODUCTS

Product Application

- Road and Street
- Municipal Buildings
- Security Lighting



ROYAL LED
EQUIPMENTS PVT. LTD



Evergreen



CODE	WATTAGE	CASTING WEIGHT	TOTAL WEIGHT	OVERALL DIMENSION	PIPE I.D.	P.C.B.AREA	DRIVER AREA	STD PKG
BENT-SLF-045	45w	0.526 kg	0.605 kg	297x95x88mm	DIA 40MM	100x65mm	116x85x40mm	32 PCS
BENT-SLF-050	50-72w	0.898 kg	1.3 Kg	380x150x60mm	DIA 60MM (Adjustable)	210x110mm	110x80x50mm	20 PCS
BENT-SLF-070	70-90w	1.49 kg	1.8 kg	364x182x80mm	DIA 60MM	175x140mm	150x75x50mm	8 PCS
BENT-SLF-070	90-100W	1.55 kg	1.86 kg	364x182x100mm	DIA 60MM	175x140mm	150x75x50mm	8 PCS
BENT-SLF-120	120-150w	1.76 kg	2.100 kg	404x180x115mm	DIA 60MM	210x125mm	160x80x80mm	8 PCS
BENT-SLF-150	150-180w	2.1 kg	2.760 kg	470x230x85mm	DIA 60MM	245x190mm	193x105x50mm	6 PCS
BENT-SLF-200	180-220w	3.24 kg	4 kg	555x262x88mm	DIA 65MM	270x209mm	207x101x54mm	6 PCS

HSG

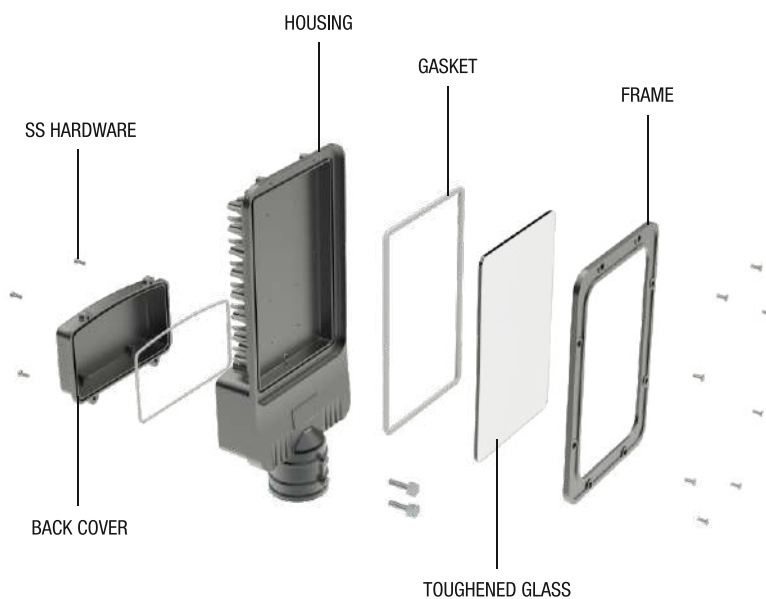
PDC Aluminum Hsg of ADC 12 for better heat discipation with Pure Polyester Powder Coating-IP 65 with Back Opening Driver box. Suitable for the application of Highway, Roadway, Parking & Playground, Service Lane Etc

GLASS

Toughened Glass with Pasted on PDC Frame for better result of IP & For Maintenance Purpose, to avoid the glass breakage

GASKET

One Piece Silicon





ROYAL LED
EQUIPMENTS PVT. LTD

Product Application

- Road and Street
- Municipal Buildings
- Security Lighting



AROMA

06



CODE	WATTAGE	CASTING WEIGHT	TOTAL WEIGHT	OVERALL DIMENSION	PIPE I.D.	P.C.B.AREA	DRIVER AREA	STD PKG
SLF-001	90-100w	1.63 kg	1.90 kg	427x205x60mm	DIA 60MM	210x150mm	145x80x44mm	12 PCS
SLF-002	120w	2.097 kg	2.400 kg	427x205x60mm	DIA 60MM	210x150mm	145x80x44mm	12 PCS
SLF-003	150-200w	2.879 kg	3.35 kg	510x258x64mm	DIA 65MM	257x210mm	195x100x45mm	6 PCS
SLF-004 E	50-60w	0.903 kg	1.175 kg	386x150x55mm	DIA 40MM	185x112mm	110x75x38mm	20 PCS
SLF-004	60-72w	0.993 kg	1.257 kg	386x150x55mm	DIA 60MM	185x112mm	110x75x38mm	20 PCS

HSG

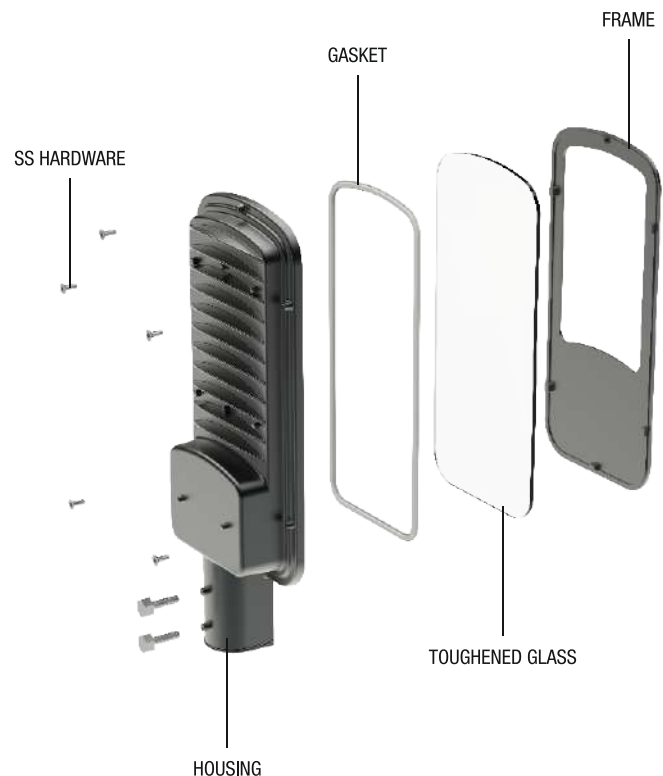
PDC Aluminum Hsg of ADC 12 for better heat discipation with Pure Polyster Powder Coating-IP 65 Suitable for the application of Highway, Roadway, Parking & Playground, Service Lane Etc

GLASS

TOUGHENED Glass with Pasted on PDC Frame for better result Of IP & For Maintenance Purpose ,to avoid the glass breakage

GASKET

One Piece Silicon



Product Application

- Road and Street
- Municipal Buildings
- Security Lighting



ROYAL LED
EQUIPMENTS PVT. LTD



GLISTEN



CODE	WATTAGE	CASTING WEIGHT	TOTAL WEIGHT	OVERALL DIMENSION	PIPE I.D.	P.C.B.AREA	DRIVER AREA	STD PKG
BENT SLF 001	40-50W	0.605 kg	0.948 kg	345 X 139 X 57MM	DIA 50 MM	162 X 100 MM	95 X 74 X 42MM	30 PCS
BENT SLF 002	60-72W	0.675 Kg	1.074 kg	384x 147 X62MM	DIA 50 MM	190 X 107 MM	104 X 82 X 47MM	25 PCS
BENT SLF 003	70-90W	0.810 kg	1.326 kg	410 x 180 X75MM	DIA 60 MM	209 X 140 MM	135 X 88 X 48MM	12 PCS
BENT SLF 004	120-150W	0.965 kg	1.550 kg	429 X 200 X 75MM	DIA 60 MM	226 X 160 MM	152 X 86 X 50MM	10 PCS

HSG

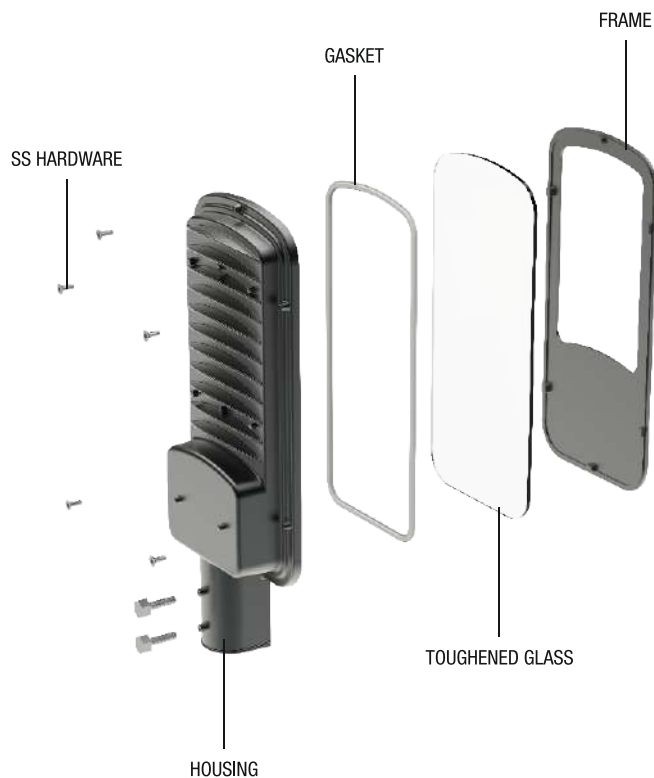
PDC Aluminum Hsg of ADC 12 for better heat discipation with Pure Polyster Powder Coating-IP 65 Suitable for the application of Highway, Roadway, Parking & Playground, Service Lane Etc

GLASS

TOUGHENED Glass with PDC Frame for better result Of IP & For Maintenance Purpose ,to avoid the glass breakage

GASKET

One Piece Silicon





Product Application

- Road and Street
- Parking
- Township
- Resorts
- Manufacturing Plant



FLAME



CODE	WATTAGE	CASTING WEIGHT	TOTAL WEIGHT	OVERALL DIMENSION	PIPE I.D.	P.C.B.AREA	DRIVER AREA	STD PKG
BENT-SLL-15-30W	15-30w	0.335 kg	0.369 kg	240x75x65mm	DIA 35MM	85x40mm	113x71x40mm	50 PCS
BENT-SLL-15-30W R1	15-30w	0.315 Kg	0.345 kg	240x75x68mm	DIA 35MM	85x40mm	113x71x40mm	50 PCS
BENT-SLL-045W	45w	0.557 kg	0.650 kg	272x90x65mm	DIA 45MM	85x40mm	100x80x35mm	40 PCS
BENT-SLL-045W NEW	40-45w	0.445 kg	0.490 kg	242x95x70mm	DIA 45MM	85x40mm	116x85x40mm	40 PCS
BENT-SLL-60-72W	60-72w	0.825 kg	0.885 kg	235x160x95mm	DIA 60MM	85x40mm-2nos.	150x75x50mm	24 PCS
BENT-SLL-90W	90-100w	0.967 kg	1.027 kg	272x161x95mm	DIA 60MM	85x40mm-2nos	150x75x50mm	24 PCS
BENT -SLL-120W	120W	1.19 kg	1.214 kg	325 x 181 x 105 mm	DIA 60MM	139 x 54 mm -2 nos	160x 80x 80mm	12 PCS
BENT -SLL- 180-200W	180-200w	1.76 kg	1.790 kg	367 x 202 x 110 mm	DIA 60MM	139 x 54 mm-2 nos	190x 125x 70mm	12 PCS
BENT -SLL- 250W	250w	3.45 kg	3.550kg	587x300x120 mm	DIA75MM	244X143 mm/ 248X58 mm-2 NO	260X125X70mm	6 PCS
BENT -SLL- 350W	350w	4.36 kg	4.846 kg	622 x 315 x190 mm	DIA 65MM	248 X 58 mm-3 NO	290X225X80mm	6 PCS
BENT -SLL- 250W NEW	250w	3.1 kg	3.274 kg	587x304x117 mm	DIA 75MM	250X58 mm-2 NO	260X125X70mm	6 PCS

HSG

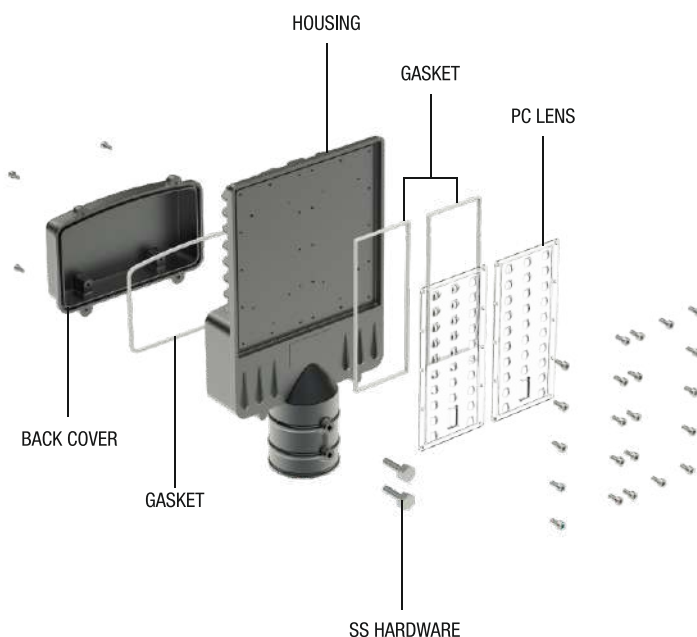
PDC Aluminum Hsg of ADC 12 for better heat discipation with Pure Polyster Powder Coating-IP 65 with Back Opening Driver box for Easy to Maintenance Suitable for the application Of Roadway, Parking & Playground, Service Lane Etc

GASKET

One Piece Silicon

LENS

Material- Polycarbonate High Lighting Efficiency, Glare Free, Wide beam for good illuminance, UV Protected,





Product Application

- Road and Street
- Parking
- Township
- Resorts
- Manufacturing Plant



DAZZLE



CODE	WATTAGE	CASTING WEIGHT	TOTAL WEIGHT	OVERALL DIMENSION	PIPE I.D.	P.C.B.AREA	DRIVER AREA	STD PKG
BENT STL 24W	24w	0.215kg	0.301kg	264 X 100 X 54mm	DIA 40MM	111 X 46 mm	72 X 45 X 38 mm	50 PCS
BENT STL 36W	36w	0.290kg	0.392kg	307 X 130 X 54mm	DIA 40MM	133 X 60 mm	90 X 55 X 30 mm	50 PCS
BENT STL 50W	50w	0.380kg	0.478kg	335 X 156 X 55mm	DIA 50MM	153 X 85 mm	108 X 55 X 38 mm	30 PCS
BENT STL 72W	72w	0.380kg	0.478kg	342 X 165 X 65mm	DIA 50MM	171 X 90 mm	105 X 58 X 36 mm	30 PCS
BENT STL 100W	100w	0.735 kg	0.940kg	422 x212 x 75 mm	DIA 60MM	200 X 142 mm	155 X 90 X 48 mm	15 PCS
BENT STL 150W	150w	0.735 kg	0.940kg	356 X 158 X 55mm	DIA 60MM	200 X 142 mm	155 X 90 X 48 mm	15 PCS

HSG

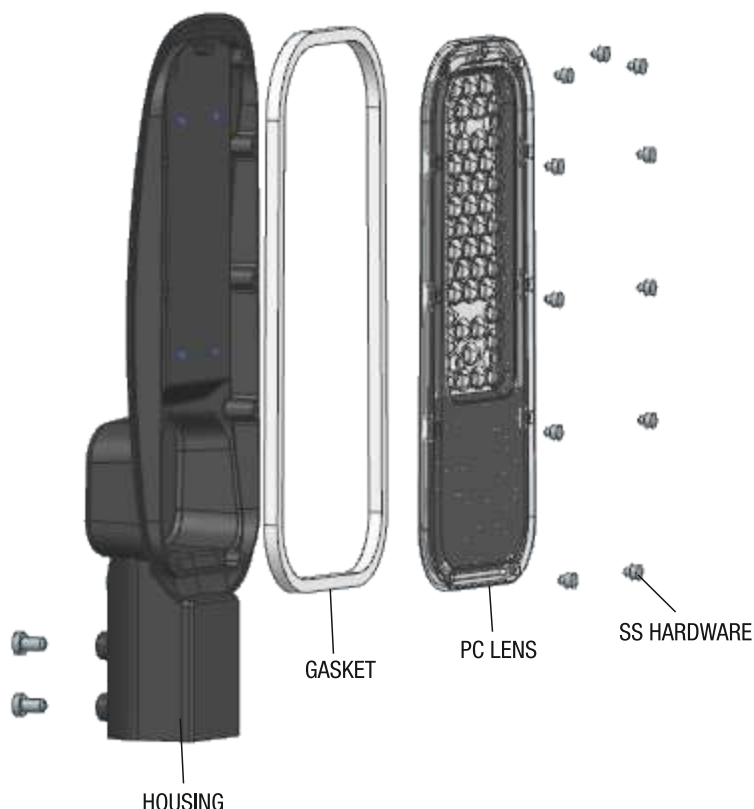
PDC Aluminum Hsg of ADC 12 for better heat discipation with Pure Polyster Powder Coating-IP 65 Suitable for the application of Roadway, Parking & Playground, Service Lane Etc

GASKET

One Piece Silicon

LENS

Material-Polycarbonate High Grade





SPARKLE



Product Application

- Road and Street
- Parking
- Township
- Resorts
- Manufacturing Plant



CODE	WATTAGE	CASTING WEIGHT	TOTAL WEIGHT	OVERALL DIMENSION	PIPE I.D.	P.C.B.AREA	DRIVER AREA	STD PKG
STL004- NEW 24W LANCE	24w	0.215kg	0.301kg	261x117x51mm	DIA 40MM	90x70mm	78x46x30mm	50 PCS
STL005- NEW 36W LANCE	36w	0.276kg	0.392kg	306x136x54mm	DIA 45MM	126x85mm	97x53x30mm	50 PCS
STL006- NEW 50W LANCE	50w	0.41kg	0.562kg	356x158x55mm	DIA 45MM	155x105mm	120x68x30mm	30 PCS

HSG

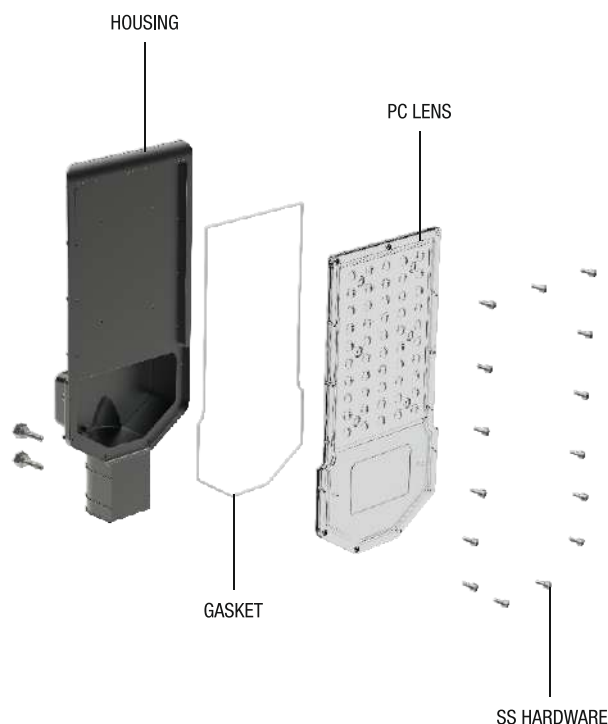
PDC Aluminum Hsg of ADC 12 for better heat discipation with Pure Polyster Powder Coating-IP 65 Suitable for the application of Roadway, Parking & Playground, Service Lane Etc

GASKET

One Piece Silicon

LENS

Material-Polycarbonate High Grade



Product Application

- Road and Street
- Parking
- Township
- Resorts
- Manufacturing Plant



ROYAL LED
EQUIPMENTS PVT. LTD



GLEAM



CODE	WATTAGE	CASTING WEIGHT	TOTAL WEIGHT	OVERALL DIMENSION	PIPE I.D.	P.C.B.AREA	DRIVER AREA	STD PKG
STL-00	18w	0.403 kg	0.520 kg	310 x 105 x 51 mm	DIA 45 MM	95x60 mm	80x38x35 mm	40 PCS
STL-004	24w	0.403 kg	0.520 kg	310 x 105 x 51 mm	DIA 45 MM	95x60 mm	80x38x35 mm	40 PCS
STL-005	36w	0.478 kg	0.573 kg	311 x 105 x 57 mm	DIA 45 MM	113x83 mm	85x38x42 mm	40 PCS
STL-006	50w	0.525 kg	0.615 kg	350 x 126 x 57 mm	DIA 45 MM	140x105 mm	100x38x42 mm	35 PCS
STL-007	72w	0.768 kg	0.948 kg	405 x 163 x 62 mm	DIA 45 MM	172x137 mm	125x38x42 mm	30 PCS
STL-008	100W	0.825 kg	1.048 kg	457 x 192 x 70 mm	DIA 65 MM	192x148 mm	110x170x60 mm	10 PCS
STL-009	150W	0.825 kg	1.086 kg	457 x 192 x70 mm	DIA 65 MM	192x148 mm	170x110x50 mm	10 PCS
STL010	200W	1.4 kg	1.638 kg	575 x 205 x 70 mm	DIA 65 MM	264x154 mm	170x110x60 mm	8 PCS

HSG

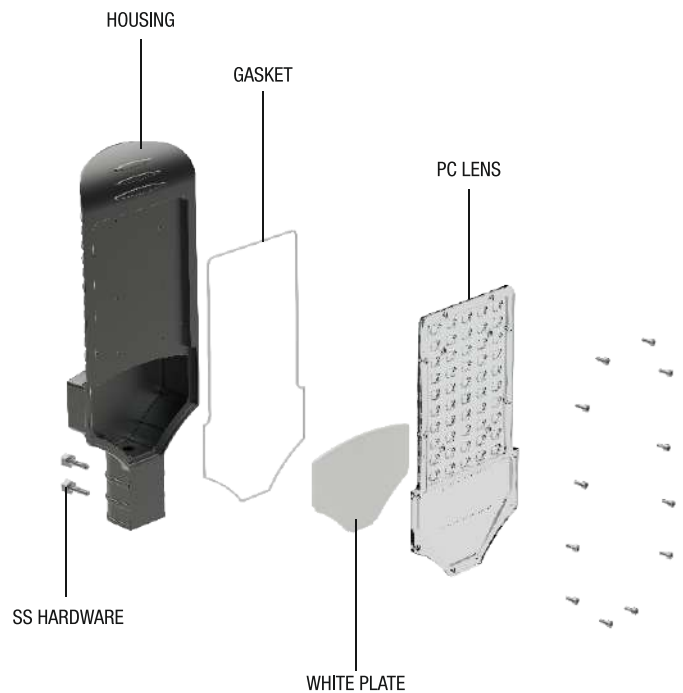
PDC Aluminum Hsg of ADC 12 for better heat discipation with Pure Polyster Powder Coating-IP 65 Suitable for the application of Roadway, Parking & Playground, Service Lane Etc

GASKET

One Piece Silicon

LENS

Material-Polycarbonate High Grade





Luminity

Product Application

- Municipalities
- Industries
- Parking Garages
- Retail Malls
- Colleges & Business Campuses



CODE	WATTAGE	CASTING WEIGHT	TOTAL WEIGHT	OVERALL DIMENSION	PIPE I.D.	P.C.B.AREA	DRIVER AREA	STD PKG
SL001 - 15/20W SL NEW	15-20w	0.19 kg	0.366 kg	246 x 76 x 52 mm	DIA 40MM	100x53mm	59x45x38mm	50 PCS
SL002 - 24/30W SL NEW	24-36w	0.263 kg	0.506 kg	298 x 90 x 52 mm	DIA 40MM	130x67.5mm	80x60x38mm	35 PCS
SL003 - 30/36W SL NEW	40-50w	0.480 kg	0.804 kg	345 x 139 x 57 mm	DIA 50MM	162x100mm	95x74x42mm	30 PCS
SL004 - 40W SL NEW	60-72w	0.525 kg	0.932 kg	384 x 147 x 62 mm	DIA 50MM	190x107mm	104x82x47mm	25 PCS
SL005 - 50/72W SL NEW	70-90w	0.635 kg	1.29 kg	409 x 179 x 75 mm	DIA 60MM	209x140mm	135x88x48mm	12 PCS
SL006 - 100W SL NEW	120-150w	0.791 kg	1.566 kg	429 x 200 x 75 mm	DIA 60MM	226x160mm	152x86x50mm	10 PCS

HSG

PDC Aluminum Hsg of ADC 12 for better heat discipation with Pure Polyester Powder Coating -IP 65 Suitable for the application of Roadway, Parking & Playground, Service Lane Etc

GLASS

Toughened





ROYAL LED
EQUIPMENTS PVT. LTD

Product Application

- Municipalities
- Industries
- Parking Garages
- Retail Malls
- Colleges & Business Campuses



INTENSE





CODE	WATTAGE	CASTING WEIGHT	TOTAL WEIGHT	OVERALL DIMENSION	PIPE I.D.	P.C.B.AREA	DRIVER AREA	STD PKG
SL-001	20-30w	0.371 kg	0.634 kg	338 x 94 x 57 mm	DIA 40MM	145 x 70 mm	90x60x38mm	30 PCS
SL-002	30-40W	0.450 kg	0.800 kg	345 x 115 x 55 mm	DIA 40MM	145 x 80 mm	90x70x38mm	25 PCS
SL-003	45-50W	0.535 kg	0.920 kg	363 x 137 x 57 mm	DIA 40MM	180 x 110 mm	90x45x38mm	25 PCS
SL-004 E	50-60w	0.680 kg	1.04 kg	386 x 150 x 55 mm	DIA 40MM	185 x 112 mm	110x75x38mm	20 PCS
SL-004	60-72w	0.770 kg	1.130 kg	386 x 150 x 55 mm	DIA 60MM	185 x 112 mm	110x75x38mm	20 PCS
SL-005	90-100w	1.232 kg	1.85 kg	427 x 205 x 60 mm	DIA 60MM	210 x 150 mm	145x80x44mm	12 PCS
SL-006	120W	1.690 kg	2.400 kg	427 x 205 x 60 mm	DIA 60MM	210 x 150 mm	145x80x44mm	12 PCS
SL-007	150-200w	2.350 kg	3.00 kg	510 x 258 x 64 mm	DIA 65MM	257 x 210 mm	195x100x45mm	6 PCS

HSG

PDC Aluminum Hsg of ADC 12 for better heat discipation with Pure Polyster Powder Coating -IP 65 Suitable for the application of Roadway, Parking & Playground, Service Lane Etc

GLASS

Toughened





ROYAL LED
EQUIPMENTS PVT. LTD



Product Application

- Municipalities
- Industries
- Parking Garages
- Retail Malls
- Colleges & Business Campuses

Coronet



CODE	WATTAGE	CASTING WEIGHT	TOTAL WEIGHT	OVERALL DIMENSION	PIPE I.D.	P.C.B.AREA	DRIVER AREA	STD PKG
STC001	30w	0.443 kg	0.527 kg	271x78x61mm	DIA 30MM	81x64mm	90x60x30mm	30 PCS
STC002	45-50W	0.503 kg	0.607 kg	327x80x65mm	DIA 30MM	102x62mm	90x40x33mm	25 PCS
STC003	70W	1.10 kg	1.30 kg	400x120x82mm	DIA 50MM	160x85mm	130x65x42mm	20 PCS

HSG

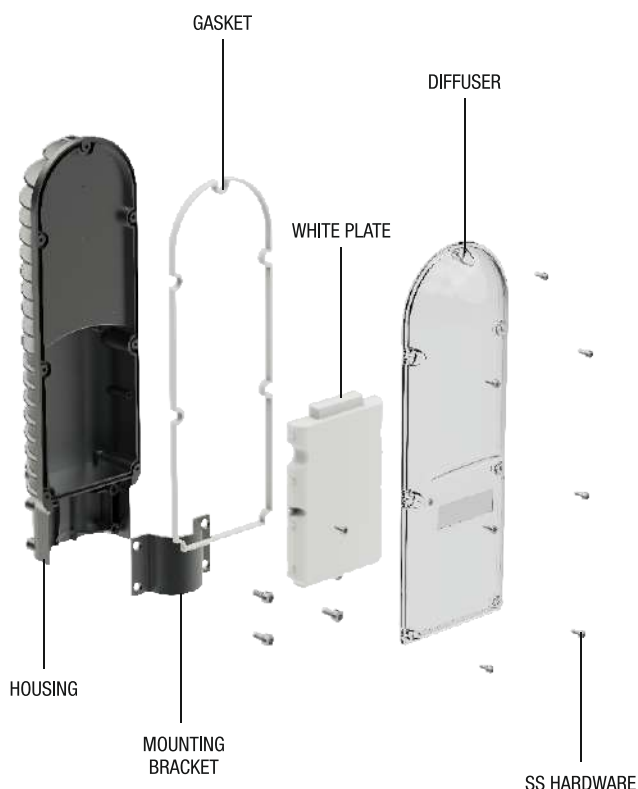
PDC Aluminum Hsg of ADC 12 for better heat discipation with Pure Polyster Powder Coating -IP 65 Suitable for the application of Roadway, Parking & Playground, Service Lane Etc

GASKET

Silicon Gasket

DIFFUSER

Material-Polycarbonate High Grade





ROYAL LED
EQUIPMENTS PVT. LTD

Cherry

Product Application

- Area Lighting
- Billboard
- Facade
- Parking Areas





CODE	WATTAGE	CASTING WEIGHT	TOTAL WEIGHT	OVERALL DIMENSION	REF. OPENING AREA	P.C.B.AREA	DRIVER AREA	STD PKG
BENT-FLDC 03-30/50W FLDC	30/50w	0.33 kg	0.738 kg	195 x 165 x 43 mm	115x50mm	145 x 65 mm	145x38x30mm	24 PCS
BENT-FLDC 04-50/70W FLDC	50/70w	0.422 kg	0.96 kg	231 x 195 x 42 mm	150x65mm	187 x 95 mm	185x45x30mm	18 PCS
BENT-FLDC 05-100/120W FLDC	100/120w	0.701 kg	1.516 kg	296 x 250 x 43 mm	195x65mm	232 x 110 mm	230x650x30mm	12 PCS

HSG

PDC Aluminum Hsg of ADC 12 for better heat discipation with Pure Polyster Powder Coating-IP 65 Suitable for Architectural building, Ports, Manufacturing Plants, Construction Sites Etc

GASKET

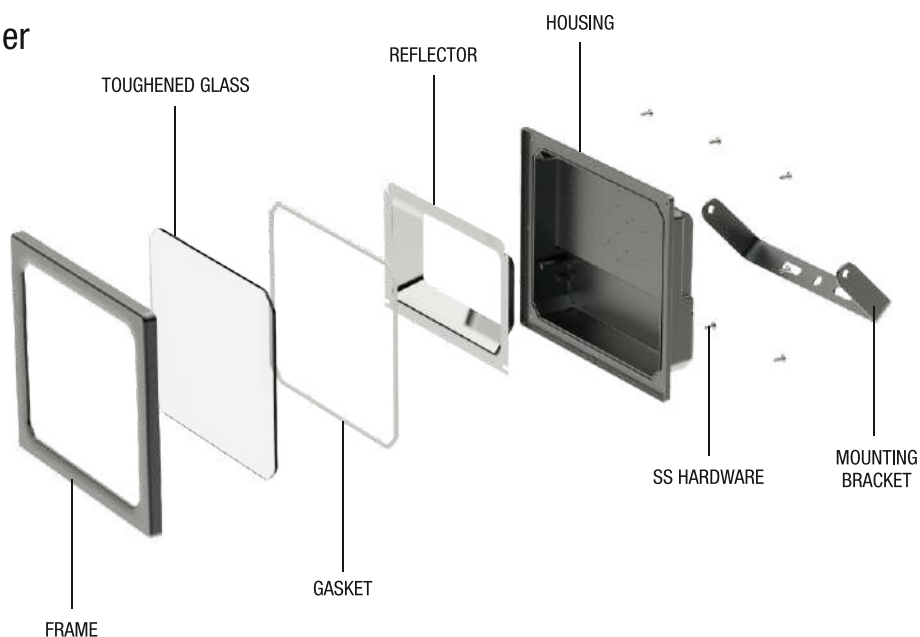
One Piece Silicon

REFLECTOR

High Grade PC Reflector

GLASS

Toughened





Product Application

- Area Lighting
- Billboard
- Facade
- Parking Areas

Lysande



CODE	WATTAGE	CASTING WEIGHT	TOTAL WEIGHT	OVERALL DIMENSION	REF. OPENING AREA	P.C.B.AREA	DRIVER AREA	STD PKG
BENT-FLDC 10	10w	0.162kg	0.320 kg	122 x 107 x 35 mm	40x12mm	75x32mm	75x34x20mm	50 PCS
BENT-FLDC 20	20w	0.222kg	0.438 kg	145 x 122 x 36 mm	62x22mm	95x50mm	100x32x25mm	36 PCS
BENT-FLDC 30	30w	0.420 Kg	0.815 Kg	195 x 165 x 45 mm	84x30mm	145x65mm	145 x38x30mm	24 PCS
BENT-FLDC 50	50w	0.625 Kg	1.170 Kg	231 x 195 x 57 mm	115x35mm	187x95mm	185x45x45mm	18 PCS
BENT-FLDC 100	100w	1.05 Kg	1.806 Kg	296 x 250 x 57 mm	162x45mm	232x110mm	230x65x45mm	12 PCS
BENT-FLDC 150	150w	1.17 kg	2.250 Kg	320 x 238 x 54 mm	165x74mm	265x145mm	240x45x40mm	8 PCS
BENT-FLDC 200	200w	1.62 kg	3.145 Kg	387 x 288 x 55 mm	238x110mm	335x170mm	305x70x40mm	6 PCS

HSG

PDC Aluminum Hsg of ADC 12 for better heat discipation with Pure Polyester Powder Coating-IP 65 Suitable for Architectural building, Ports, Manufacturing Plants, Construction Sites Etc

GASKET

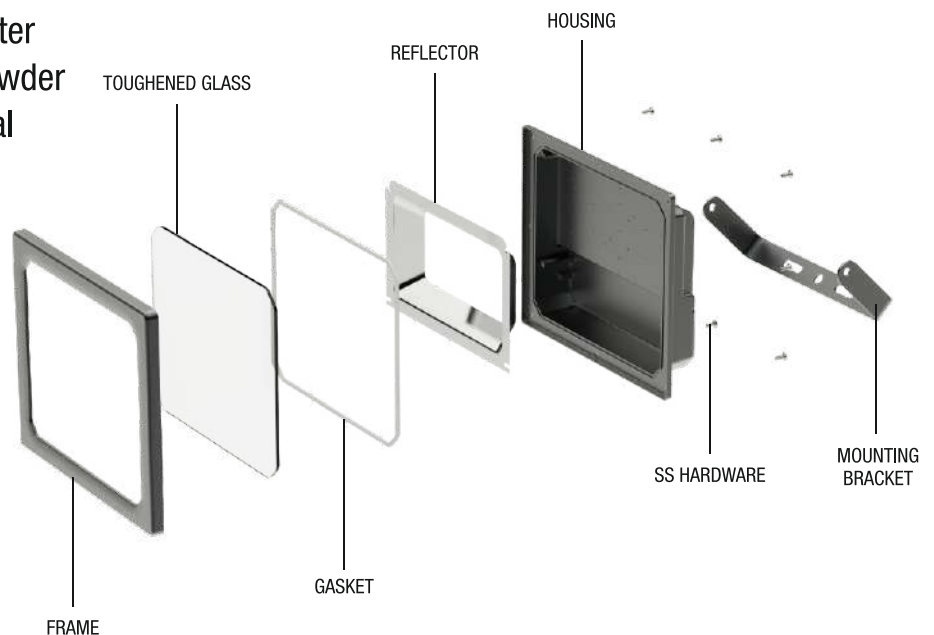
One Piece Silicon

REFLECTOR

High Grade PC Reflector

GLASS

Toughened





ROYAL LED
EQUIPMENTS PVT. LTD



Moral

Product Application

- Area Lighting
- Billboard
- Facade
- Parking Areas



CODE	WATTAGE	CASTING WEIGHT	TOTAL WEIGHT	OVERALL DIMENSION	REF. OPENING AREA	P.C.B.AREA	DRIVER AREA	STD PKG
FLDC-001	50w	795 kg	1.210 kg	212 x 203 x 45 mm	114x55mm	130 x 70 mm	115x55x30mm	20 PCS
FLDC-002	80-100w	1.260 kg	1.980 kg	287 x 255 x 55 mm	182x76mm	195 x 95 mm	170x75x35mm	16 PCS
FLDC-003	120-150w	1.740 kg	2.620 kg	327 X 288 x 58 mm	210x100mm	235 x 115 mm	210x70x40mm	10 PCS

HSG

PDC Aluminum Hsg of ADC 12 for better heat discipation with Pure Polyster Powder Coating -IP 65 Suitable for Architectural building, Ports, Manufacturing Plants, Construction Sites Etc

GASKET

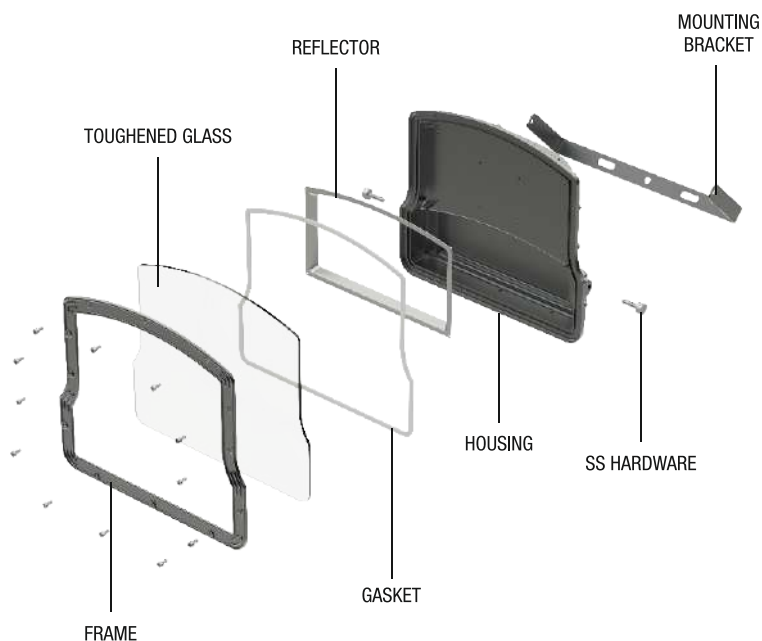
One Piece Silicon

GLASS

Toughened

REFLECTOR

High Grade PC Reflector



Product Application

- Area Lighting
- Billboard
- Facade
- Parking Areas



ROYAL LED
EQUIPMENTS PVT. LTD

BLAZE





CODE	WATTAGE	CASTING WEIGHT	TOTAL WEIGHT	OVERALL DIMENSION	REF. OPENING AREA	P.C.B.AREA	DRIVER AREA	STD PKG
BENT-FLFDC-020	20w	0.300 kg	0.670 kg	164 x 160 x 45 mm	82x42 mm	90x60mm	95x35x30mm	20 PCS
BENT-FLFDC-030	30w	0.480 kg	1.010 kg	200 x 180 x 60 mm	100x53mm	114x73mm	105x60x35mm	16 PCS
BENT-FLFDC-050	50w	0.561 kg	1.190 kg	216 x 216 x 56 mm	120x74mm	135x93mm	125x55x45mm	10 PCS
BENT-FLFDC-070	60/72w	0.770 kg	1.800 kg	272 x 245 x 68 mm	125x76mm	140x100mm	140x65x50mm	8 PCS
BENT-FLFDC-100	100w	1.302 kg	2.300 kg	305 x 282 x 68 mm	165x108mm	185x135mm	180x65x45mm	8 PCS
BENT-FLFDC-150	150w	1.630 kg	3.415 kg	346 x 325 x 78 mm	218x135mm	230x155mm	220x85x45mm	8 PCS
BENT-FLFDC-200	200w	2.180 kg	4.575 kg	420 x 375 x 73 mm	252x188mm	260x206mm	365x100x43mm	8 PCS

HSG

PDC Aluminum Hsg of ADC 12 for better heat discipation with Pure Polyster Powder Coating-IP 65 Suitable for Architectural building, Ports, Manufacturing Plants, Construction Sites Etc

GASKET

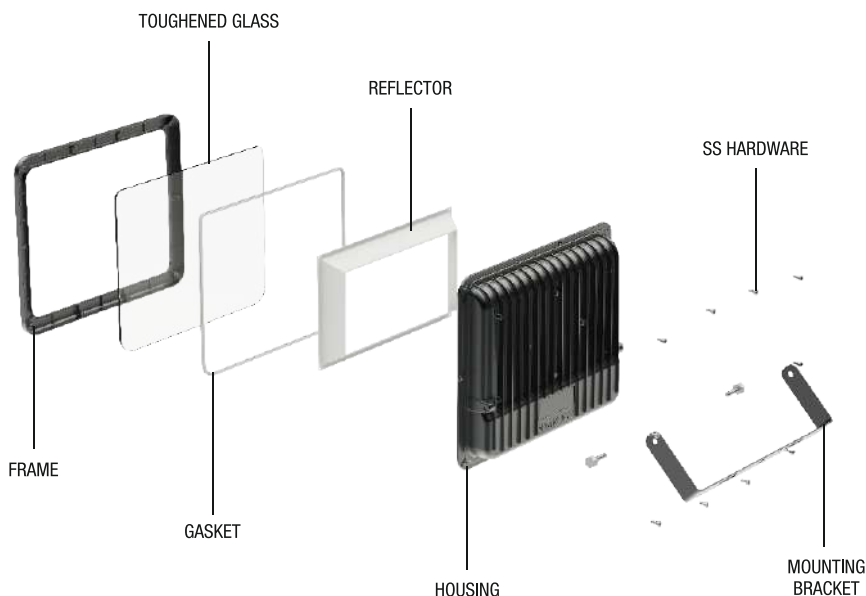
One Piece Silicon

REFLECTOR

High Grade PC Reflector

GLASS

Toughened

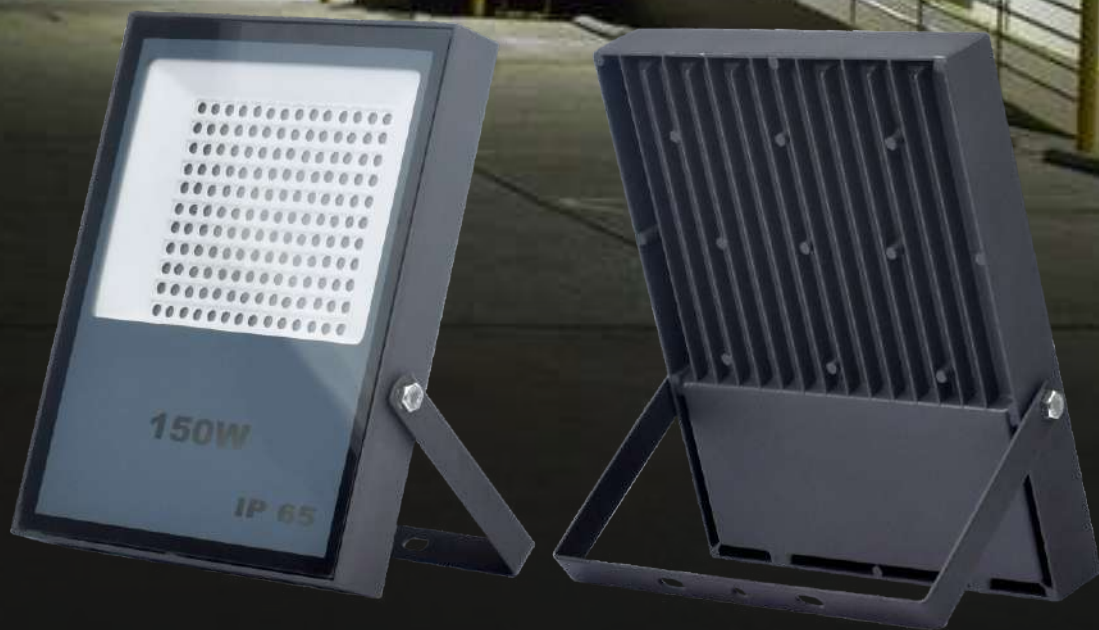


Product Application

- Area Lighting
- Billboard
- Facade
- Parking Areas



ROYAL LED
EQUIPMENTS PVT. LTD



acute



CODE	WATTAGE	CASTING WEIGHT	TOTAL WEIGHT	OVERALL DIMENSION	REF. OPENING AREA	P.C.B.-AREA	DRIVER AREA	STD PKG
BENT-FLDC-PINNACEL-30	30w	0.477 kg	0.670 kg	140x180x30mm	75x70mm(56led)	90x80mm	110x 35x22mm	20 PCS
BENT-FLDC-PINNACEL-50	50w	0.800 kg	1.264 kg	200x250x35mm	105x94mm(108led)	155x80mm	170x47x28mm	18 PCS
BENT-FLDC-PINNACEL-100	100w	1.134 kg	1.628 kg	230x280x35mm	135x115mm(154led)	160x140mm	205x80x28mm	10 PCS

HSG

PDC Aluminum Hsg of ADC 12 for better heat discipation with Pure Polyester Powder Coating -IP 65 Suitable for Architectural building, Ports, Manufacturing Plants, Construction Sites Etc

GASKET

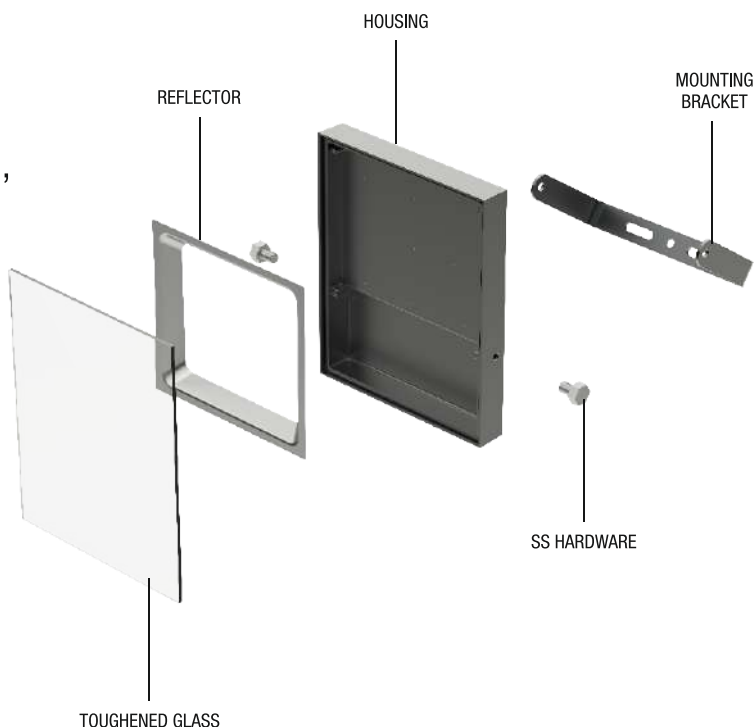
One Piece Silicon

GLASS

Toughened

REFLECTOR

High Grade PC Reflector





NOBEL

Product Application

- Area Lighting
- Billboard
- Facade
- Parking Areas



CODE	WATTAGE	CASTING WEIGHT	TOTAL WEIGHT	OVERALL DIMENSION	P.C.B.AREA	DRIVER AREA	STD PKG
BENT-FLBDC 150W NEW	150w	1.37 kg	2.106 kg	371 x 281 x 55 mm	243x172 mm	270x80x50 mm	16 PCS
BENT-FLBDC 200W NEW	200w	2.010 kg	2.958 kg	279 x 281 x 65 mm	338x174 mm	360x80x60 mm	12 PCS
BENT-FLBDC 200W	200/250w	2.71 kg	3.718 kg	340 x 370 x 72 mm	280x180 mm	285x125x60 mm	4 PCS
BENT-FLBDC 350W	350/400w	4.855 kg	7.352 kg	405 x 445 x 75 mm	395x195 mm	435x155x57 mm	1 PCS

HSG

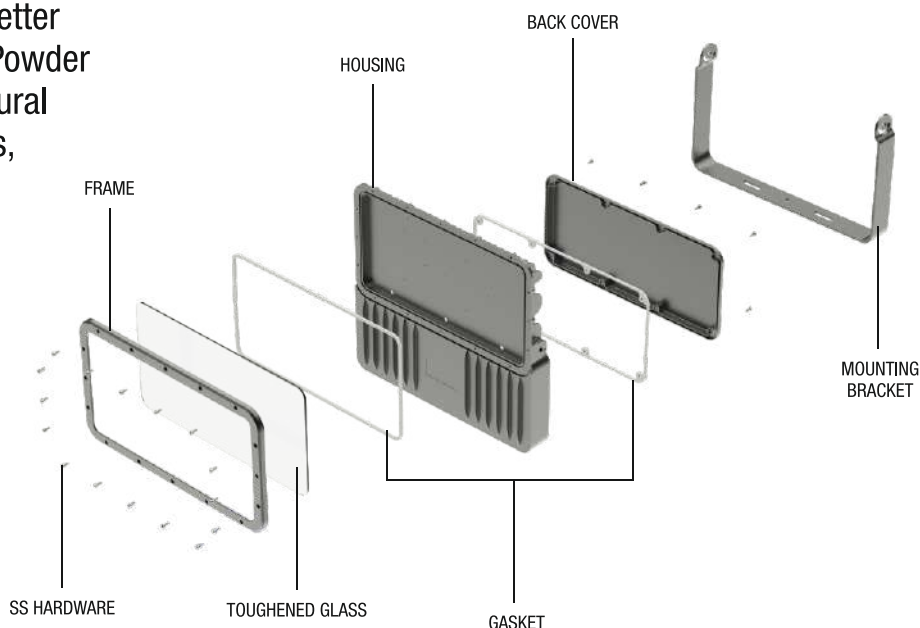
PDC Aluminum Hsg of ADC 12 for better heat discipation with Pure Polyester Powder Coating -IP 65 Suitable for Architectural building, Ports, Manufacturing Plants, Construction Sites Etc

GASKET

One Piece Silicon

GLASS

Toughened





LED FLOOD LIGHT



Product Application

- Road and Street
- Parking
- Township
- Resorts
- Manufacturing Plant



CODE	WATTAGE	CASTING WEIGHT	TOTAL WEIGHT	OVERALL DIMENSION	REF. OPENING AREA	P.C.B.AREA	DRIVER AREA	STD PKG
BENT- FLBC- 050	50-72w	0.962 kg	1.595 kg	220x195x105mm	NA	163X133mm	140x75x35mm	12 PCS
BENT- FLBC- 100	100-150w	1.903 kg	2.520 kg	290x230x115mm	NA	238x178mm	145x125x45mm	8 PCS
BENT- FLBC- 200	200w	2.2 kg	3.350 kg	332x245x120mm	218x135mm	225x142mm	210x120x40mm	4 PCS
BENT- FLBC- 250	250-300w	2.6 kg	4 kg	383x295x125mm	240x170mm	260x175mm	210x120x40mm	4 PCS
BENT- FLBC- 350	350-400w	5 kg	7.3 kg	485x350x135mm	350x215mm	355x225mm	210x120x40mm-2no	1 PCS
BENT- FLBC- 500	500-600w	8.2 kg	11.700 kg	600x400x177mm	435x232mm	440x235mm	210x120x40mm-2no	1 PCS

HSG

PDC Aluminum Hsg of ADC 12 for better heat discipation with Pure Polyester Powder Coating -IP 65 Suitable for Architectural building, Ports, Manufacturing Plants, Construction Sites Etc

GASKET

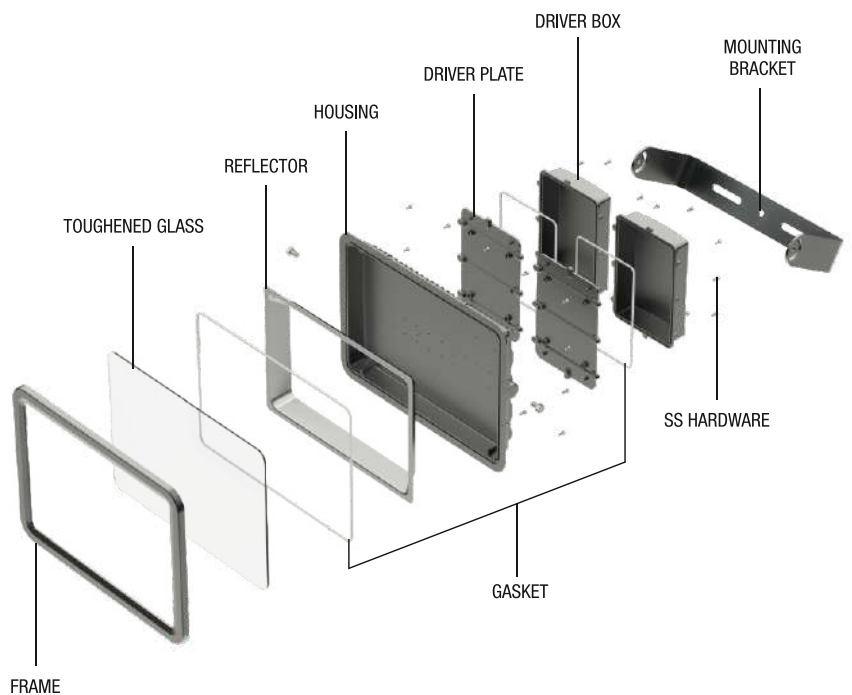
One Piece Silicon

REFLECTOR

High Grade PC Reflector

GLASS

Toughened





SCROLLARLY



Product Application

- Area Lighting
- Billboard
- Facade
- Parking Areas



CODE	WATTAGE	CASTING WEIGHT	TOTAL WEIGHT	OVERALL DIMENSION	REF. OPENING AREA	P.C.B.AREA	DRIVER AREA	STD PKG
FLBC-001	50w	0.800 kg	1.30 kg	220 x 160 x 105 mm	110x65mm	154x90mm	110x65x35mm	24 PCS
FLBC-002	80-100w	1.380 kg	2 kg	267 x 195 x 125 mm	124x72mm	155x89mm	140x75x35mm	12 PCS
FLBC-003	120-150w	2.430 kg	3.2 kg	320 x 240 x 150 mm	148x100mm	183x125mm	145x125x45mm	8 PCS
FLBC-004	200-250w	4.034 kg	5.10 kg	446 x 271 x 143 mm	298x142mm	290x140 mm	212x120x60 mm	4 PCS

HSG

PDC Aluminum Hsg of ADC 12 for better heat discipation with Pure Polyester Powder Coating -IP 65 Suitable for Architectural building, Ports, Manufacturing Plants, Construction Sites etc

GASKET

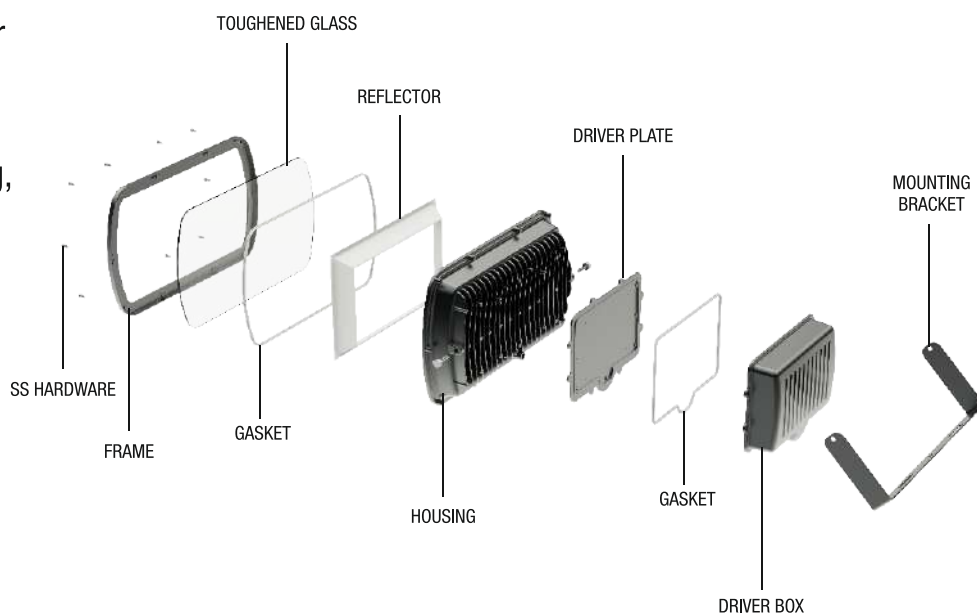
One Piece Silicon

REFLECTOR

High Grade PC Reflector

GLASS

Toughened





Nova

Product Application

- Area Lighting
- Billboard
- Facade
- Parking Areas





CODE	WATTAGE	CASTING WEIGHT	TOTAL WEIGHT	OVERALL DIMENSION	P.C.B.AREA	DRIVER AREA	BULK PKG
BENT FLBC 30W DL	30w	0.387kg	0.604kg	215 X 136 X 55mm	135 X 97	112 X70 X 54mm	24 PCS
BENT FLBC 50W DL	50w	0.602 kg	0.896 kg	196 X 230 X 55mm	110 X 86 - 2 NOS	220 X 60 X 50mm	20 PCS
BENT FLBC 100W DL	100w	0.678 kg	1.07 kg	221 X 251 X 55mm	135 X 97 - 2 NOS	240 X 60 X 50mm	16 PCS
BENT FLBC 150W DL	150w	1.09 kg	1.622 kg	281 X 279 X 55 mm	174 X 64 - 3 NOS	270 X 80 X 50 mm	12 PCS
BENT FLBC 200W DL	200w	1.74 kg	2.288kg	281 X 372 X 65 mm	174 X 64 - 4 NOS	360 X 80 X 60 mm	10 PCS

HSG

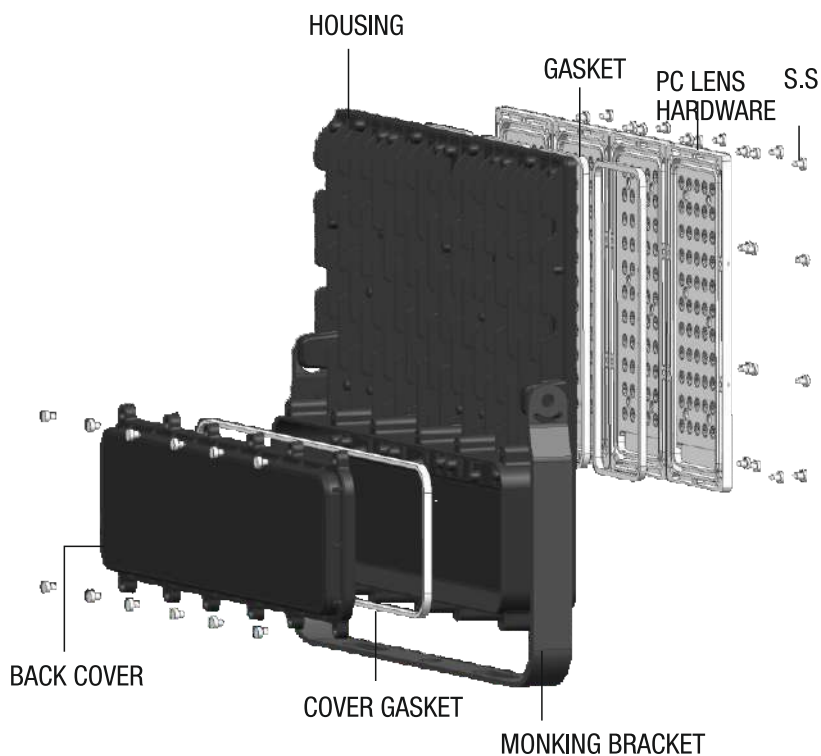
PDC Aluminum Hsg of ADC 12 for better heat discipation with Pure Polyester Powder Coating -IP 65 Suitable for Architectural building, Ports, Manufacturing Plants, Construction Sites Etc

GASKET

One Piece Silicon

LENS

Material-Polycarbonate High Grade





ROYAL LED
EQUIPMENTS PVT. LTD



sobber

Product Application

- Area Lighting
- Billboard
- Facade
- Parking Areas



CODE	WATTAGE	CASTING WEIGHT	TOTAL WEIGHT	OVERALL DIMENSION	DIFFUSER	P.C.B.AREA	DRIVER AREA	STD PKG
BENT-WLG-40 NEW	40w	0.455 kg	0.484 kg	DIA 119X 110 HEIGHT	OPAL/CLEAR	DIA 75mm	95x55x30 mm	30 PCS
BENT-WLG-40 ECO	40w	0.418 kg	0.556 kg	DIA 119X110 HEIGHT	OPAL/CLEAR	DIA 65mm	DIA 80x36 HT mm	30 PCS
BENT-WLG-40	40w	0.615 kg	0.802 kg	DIA 145 X 207 HEIGHT	OPAL/CLEAR	DIA 100mm	100x55x40mm	12 PCS
BENT-WLG-70	50-70w	0.954 kg	1.100 kg	DIA 172 X 213 HEIGHT	OPAL/CLEAR	DIA 130mm	130x65x40mm	12 PCS
BENT-WLG-70 NEW	50-70w	0.800kg	0.860 kg	DIA 145 X 150 HEIGHT	OPAL/CLEAR	DIA 130mm	135x90x50mm	12 PCS

HSG

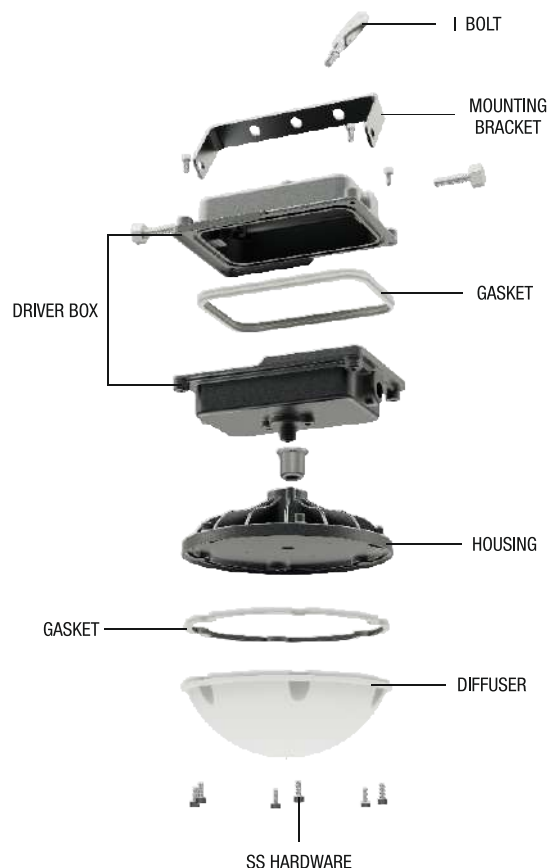
PDC Aluminum Hsg of ADC 12 for better heat discipation with Pure Polyester Powder Coating -IP 65 Suitable for Construction Sites, Industrial Areas, Warehouse, Power Station Etc

GASKET

One Piece Silicon

DIFFUSER

High Grade PC Diffuser with option of Clear & Opal





Product Application

- Area Lighting
- Billboard
- Facade
- Parking Areas

sheen



CODE	WATTAGE	CASTING WEIGHT	TOTAL WEIGHT	OVERALL DIMENSION	GLASS SIZE	P.C.B.AREA	DRIVER AREA	STD PKG
BENT -LBIL 40	35-40W	0.455 kg	0.476kg	DIA 119X 80 HEIGHT	SPIRAL LENS DIA 113	75 DIA	95x55x30 mm	30 PCS
BENT -LBIL 70	70-80W	0.954kg	0.100 kg	DIA 172 X 213 HEIGHT	DISCRET / SPIRAL LENS DIA 158	130 DIA	130x65x40mm	12 PCS
BENT-HBIL-100	100-120w	1.430 kg	1.950 kg	DIA 230 mm x 125 Height	LENS DIA 170	154 DIA	140X75X35mm	10 PCS
BENT-HBIG-100	100-120w	1.430 kg	2.050 kg	DIA 230 mm x 125 Height	171 DIA	154 DIA	140X75X35mm	10 PCS
BENT-HBIL-150	150w	2.2 kg	2.894 kg	DIA 300 mm x 125 Height	LENS DIA 215	175 DIA	230X110X54mm	6 PCS
BENT-HBIL-150	150w	2.2 kg	2.946 kg	DIA 300 mm x 125 Height	216 DIA	200 DIA	230x110X54mm	6 PCS
BENT-HBIG-200	200w	2.6 kg	3.374 kg	DIA 330 mm x 125 Height	LENS DIA 246	220 DIA	230x110X54mm	6 PCS
BENT-HBIG-200	200w	2.6 kg	3.478 kg	DIA 330 mm x 125 Height	247 DIA	230 DIA	230X110X54mm	6 PCS
BENT-HBIL-100 NEW	100-120W	1 kg	10.76 kg	DIA 254 mm x 112 Height	LENS DIA 183	150 DIA	160X100X48mm	18 PCS
BENT-HBIG-150 NEW	150W	1.69 kg	1.710 kg	DIA 320 mm x 112 Height	LENS DIA 226	192 DIA	220X110X56mm	12 PCS
BENT-HBIG-200 NEW	200W	2.306kg	2.276 kg	DIA 360 mm x 115 Height	LENS DIA 259	220 DIA	220X110X56mm	12 PCS

HSG

PDC Aluminum Hsg of ADC 12 for better heat discipation with Pure Polyster Powder Coating -IP 65 Suitable for Warehouse, Construction Sites, Industrial Areas, Warehouse, Power Station Etc

GASKET

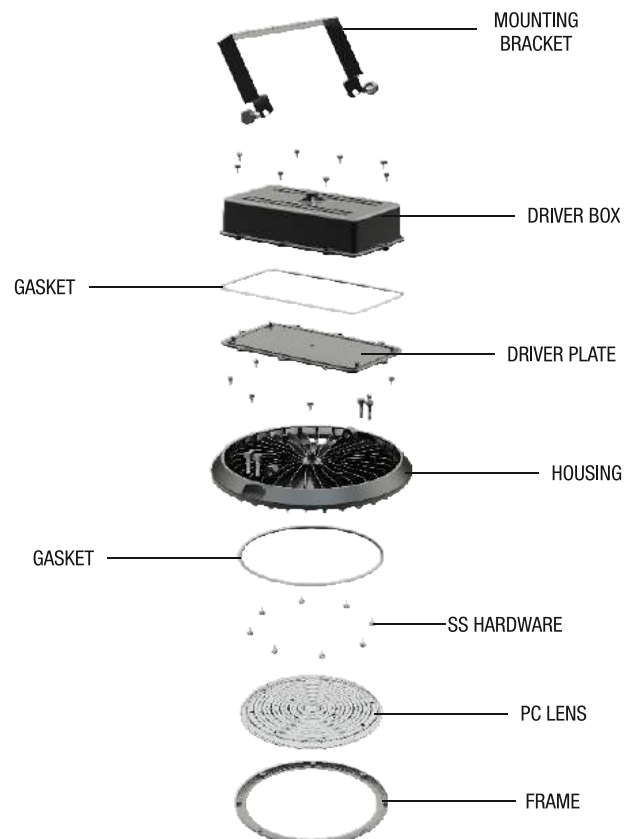
One Piece Silicon

LENS

High Grade PC Spiral Lens.

GLASS

Toughened





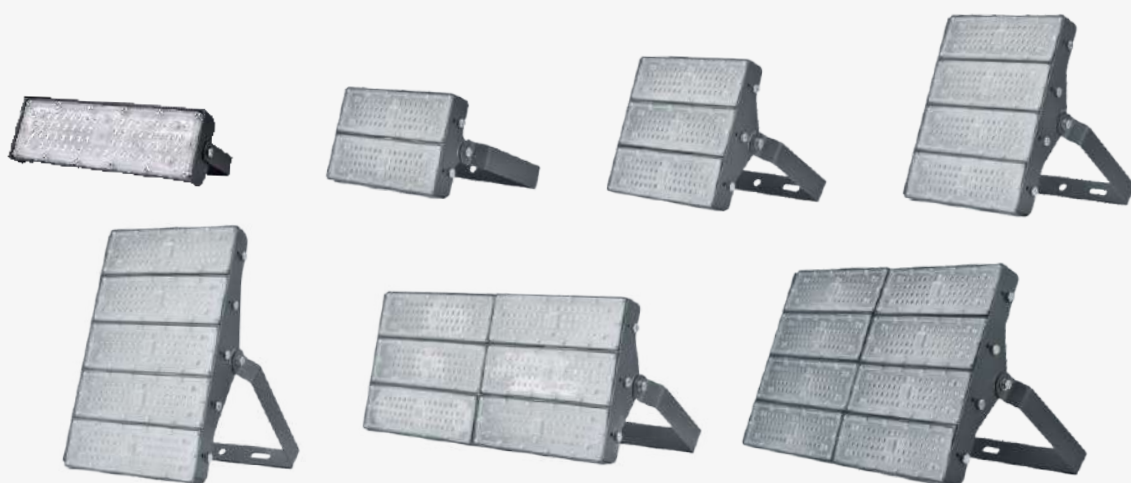
INTENSIFY



Product Application

- Area Lighting
- Billboard
- Facade
- Parking Areas

22 INTENSIFY FLOODLIGHT



CODE	WATTAGE	CASTING WEIGHT	TOTAL WEIGHT	OVERALL DIMENSION	P.C.B.AREA	DRIVER AREA	STD PKG
BENT-M/FLBC	50w	0.371 kg	0.506 kg	235 X 75 X 45 mm	205 X 50 mm	NA	40 PCS
BENT-M/FLBC	100W	0.742 kg	1.206 kg	240 X 156 X 45 mm	205 X 50 mm X 2 Nos	NA	12 PCS
BENT-M/FLBC	150W	1.113 kg	1.96 kg	240 X 232 X 45 mm	205 X 50 mm X 3 Nos	NA	10 PCS
BENT-M/FLBC	200W	1.484 kg	2.50 kg	240 X 310 X 45 mm	205 X 50 mm X 4 Nos	NA	4 PCS
BENT-M/FLBC	250W	1.855 kg	3.2 kg	240 X 385 X 45 mm	205 X 50 mm X 5 Nos	NA	2 PCS
BENT-M/FLBC	300W	2.226 kg	3.85 kg	475 X 232 X 45 mm	205 X 50 mm X 6 Nos	NA	1 PCS
BENT-M/FLBC	400W	2.968 kg	4.95 kg	475 X 310 X 45 mm	205 X 50 mm X 8 Nos	NA	1 PCS

HSG

PDC Aluminum Hsg of ADC 12 for better heat discipation with Pure Polyester Powder Coating - IP 65 Suitable for High Mast, Parking, Stadium Lighting, Warehouse Lighting, Facade and Building, Parking etc

GASKET

One Piece Silicon

LENS

Polycarbonate High Lighting Efficiency, Glare Free, Wide Beam for good illuminance, UV Protected

